

Electrical Specification:  
 Contact Resistance:  $\leq 0.03\Omega$   
 Insulation Resistance:  $\geq 100m\Omega$   
 Withstand Voltage: 500V AC (50Hz)/minute  
 Rated Load: 50V DC, 1A  
 Insertion And Extraction Force: 4-40N  
 Temperature Range:  $-30^{\circ}\text{C}$  to  $+80^{\circ}\text{C}$

Order Information:

RHTAYLR-S05-03-F-S

XLR Jack Series.

03=3 Pin

04=4Pin 05=5 Pin

M=Male F=Female

S=Dip Straight Pin

R=Dip Right Pin

**RHTECP** NINGBO RHT ELECTRONIC CO.,LTD

UNITS:mm	SHEET SIZE: A4			SCALE:----
0~3	3~18	18~50	50~120	
$\pm 0.12$	$\pm 0.15$	$\pm 0.3$	$\pm 0.5$	

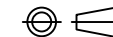
DRWN BY PAN

CHK'D BY FENG

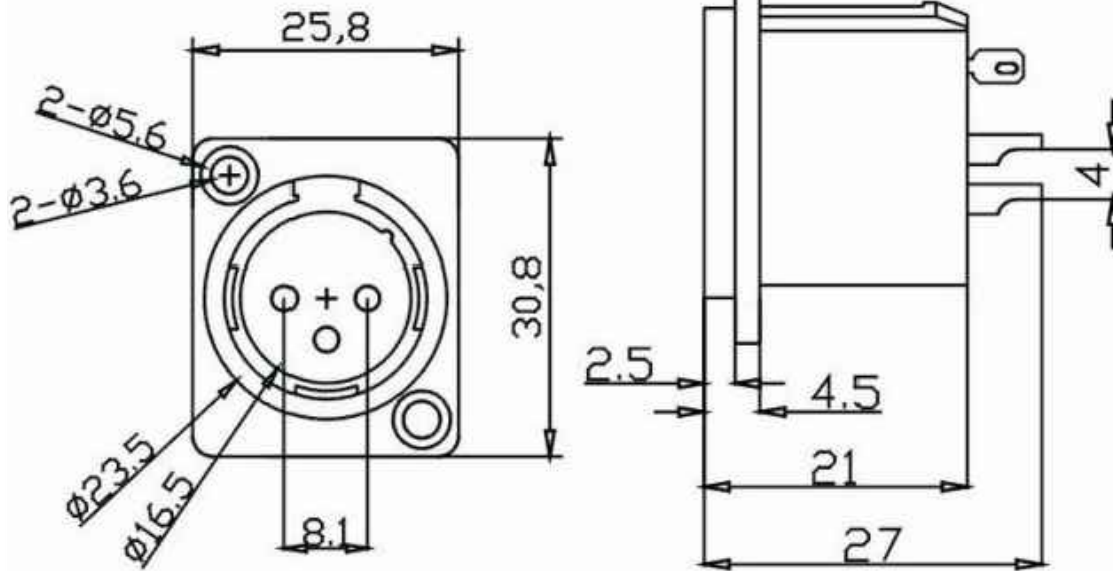
APPR BY ZHAN

XLR Socket

THIRD ANGLE PROJECTION



RHTAYLR-S05



Electrical Specification:  
 Contact Resistance:  $\leq 0.03\Omega$   
 Insulation Resistance:  $\geq 100m\Omega$   
 Withstand Voltage: 500V AC (50Hz)/minute  
 Rated Load: 50V DC, 1A  
 Insertion And Extraction Force: 4-40N  
 Temperature Range:  $-30^{\circ}\text{C}$  to  $+80^{\circ}\text{C}$

Order Information:

RHTAYLR-S05-03-M-S

XLR Jack Series.

03=3 Pin

04=4Pin 05=5 Pin

M=Male F=Female

S=Dip Straight Pin

R=Dip Right Pin

**RHTECP** NINGBO RHT ELECTRONIC CO.,LTD

UNITS:mm	SHEET SIZE: A4			SCALE:----
0~3	3~18	18~50	50~120	
$\pm 0.12$	$\pm 0.15$	$\pm 0.3$	$\pm 0.5$	

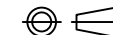
DRWN BY PAN

CHK'D BY FENG

APPR BY ZHAN

XLR Socket

THIRD ANGLE PROJECTION



RHTAYLR-S05