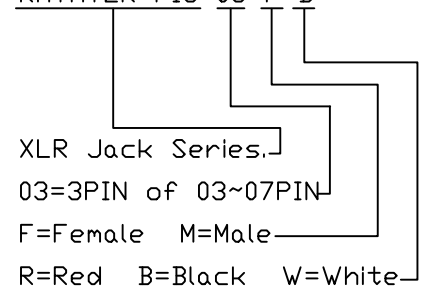


Electrical Specification:
 Number of Contacts: 3
 Contact Resistance: $\leq 5M \Omega$
 Insulation Resistance: $\geq 5000M \Omega$
 Voltage: 1400V
 Axial Fixity: $\geq 100N$
 Foot Separation Force: $85 \pm 5g$
 The Insertion Force 10-80N

Order Information:
 RHTAYLR-P15-03-F-B



RHTECP NINGBO RHT ELECTRONIC CO.,LTD

UNITS:mm	SHEET SIZE: A4			SCALE:---	DRWN BY PAN
0~3	3~18	18~50	50~120	CHK'D BY FENG	
±0.12	±0.15	±0.3	±0.5	APPR BY ZHAN	

XLR Plug

THIRD ANGLE PROJECTION

RHTAYLR-P15